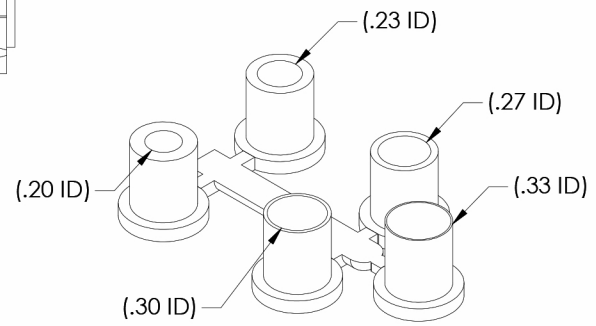
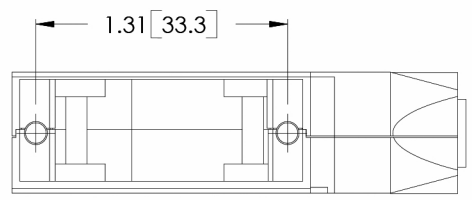
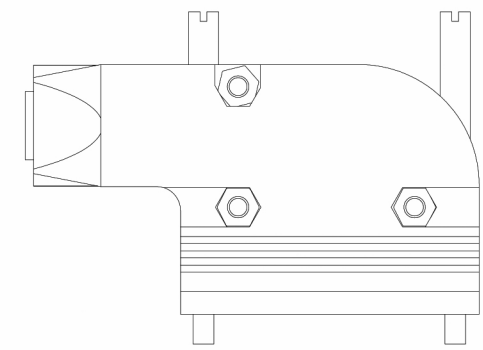
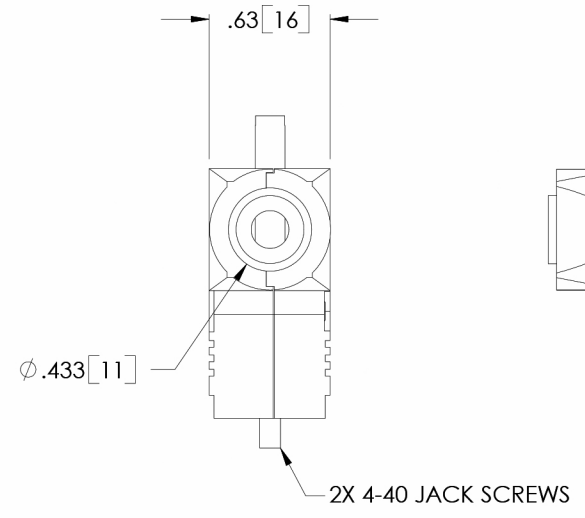
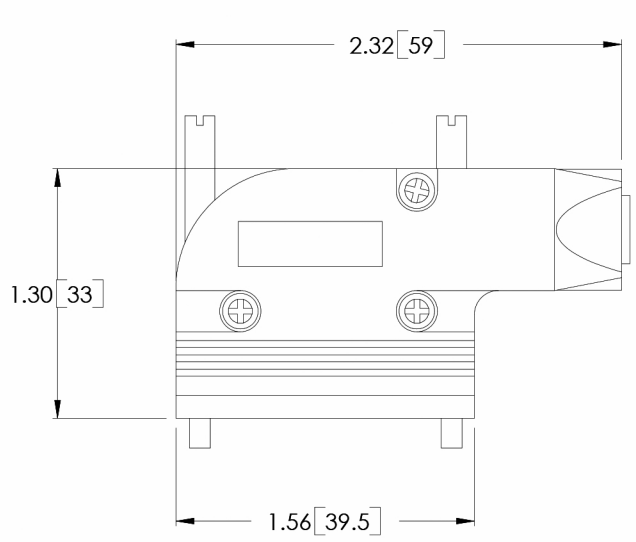
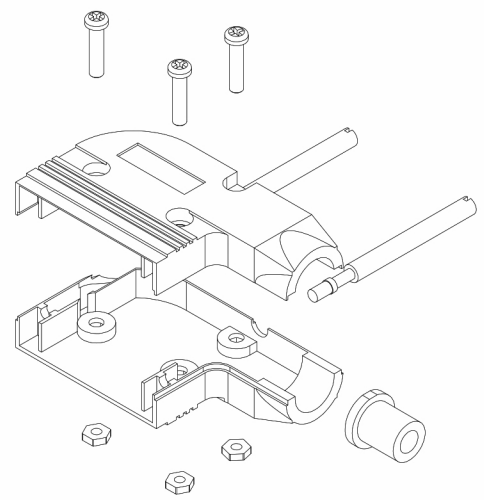


REVISIONS			
REV	DESCRIPTION	DATE	APPROVED
A	RELEASED FOR PRODUCTION		
.	.	.	.
.	.	.	.



GROMMETS AS SUPPLIED



- NOTES:
 1. MATERIAL: ZINC ALLOY
 GROMMET: SYNTHETIC RUBBER (BLACK)
 2. FINISH: NICKEL PLATED

UNLESS OTHERWISE SPECIFIED,
 DIMENSIONS ARE IN INCHES
 TOLERANCES ARE:
 X ±.1
 .XX ±.05
 .XXX ±.005
 CABLE LENGTH TOLERANCE
 <300' ±5% >300' ±2%

APPROVALS	DATE
DRAWN	
CHECKED	
APPROVED BY	
CONFIGURATION DETAILS OF UNDIMENSIONED FEATURES MAY VARY	

Show Me
CABLES
cables & connectors since 1995

PRODUCT DESCRIPTION
CAST METAL HOOD KIT FOR DB15
 Title: **DB15 & HD26 Right Angle Hood- Metal**

SIZE A	Product No.	1135	REV. A
SCALE 1:1	CAD FILE:	SHEET 1 OF 1	